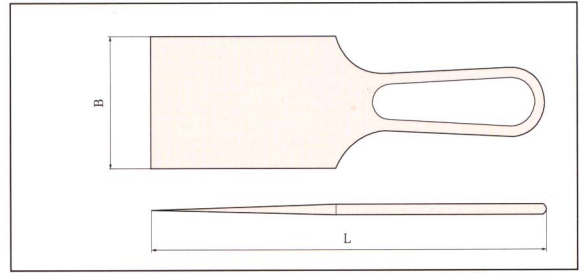
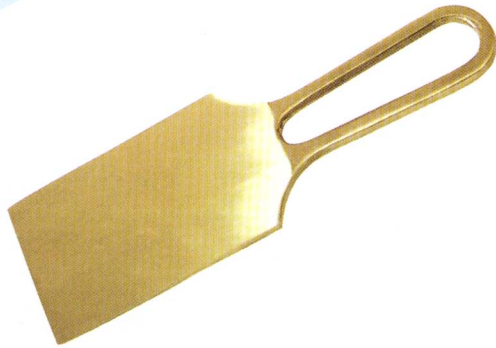
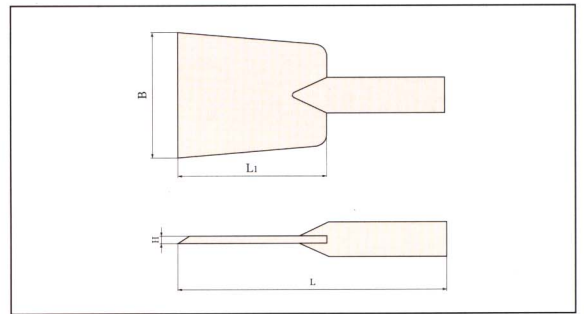
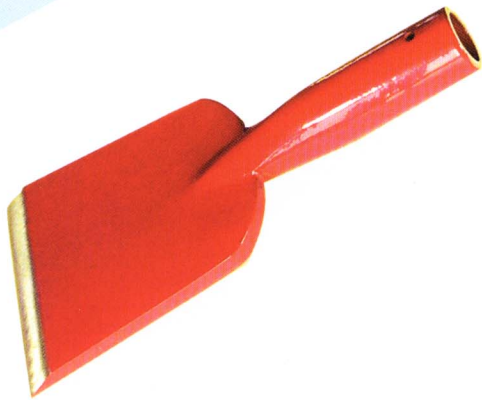


## Scraper, Spray Booth



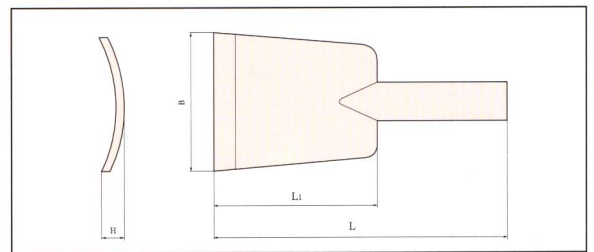
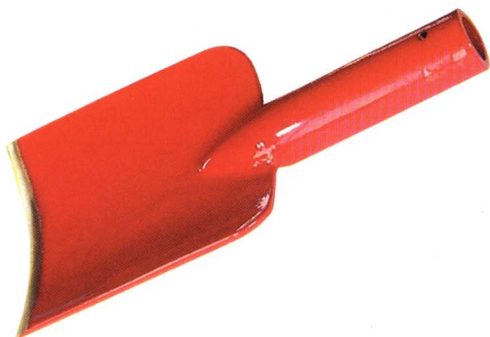
Number	L mm	B mm	Be-Cu g	Al-Cu g
211-1002	235	76	392	358

## Scraper



Number	B mm	L mm	L <sub>1</sub> mm	H mm	Be-Cu g	Al-Cu g
212-1002	50	195	98	5	552	504
212-1004	75	210	117	5.5	775	709
212-1006	100	210	117	6	865	793
212-1008	150	250	150	7	1772	1622

## Scraper, Arched



Number	B mm	L mm	L <sub>1</sub> mm	H mm	Be-Cu g	Al-Cu g
213-1002	50	190	120	10	411	376
213-1004	100	210	120	19	655	600
213-1006	150	220	120	34	865	792