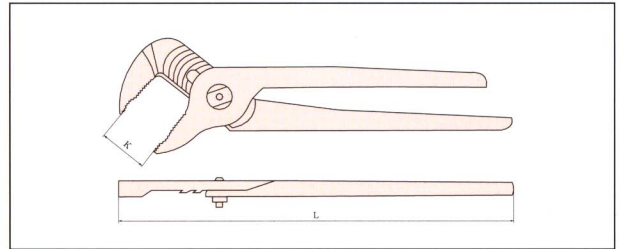
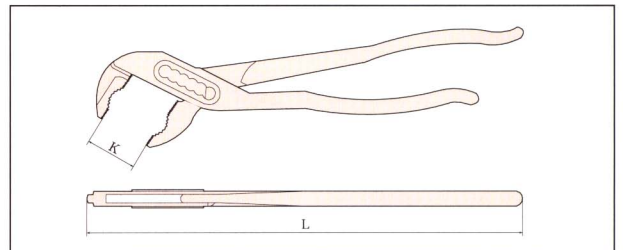


## Pliers, Groove Joint



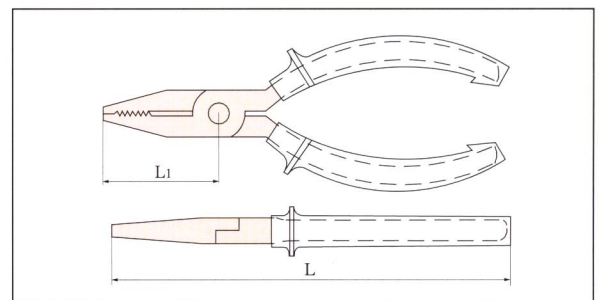
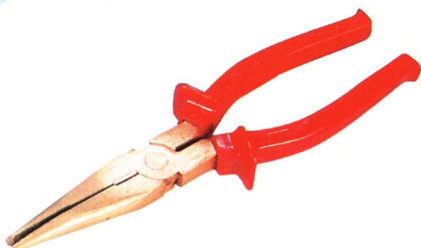
| Number   | L<br>inch | L<br>mm | K max<br>mm | Be-Cu<br>g | Al-Cu<br>g |
|----------|-----------|---------|-------------|------------|------------|
| 251-1002 | 6         | 150     | 25          | 150        | 137        |
| 251-1004 | 10        | 250     | 45          | 453        | 414        |
| 251-1006 | 12        | 300     | 55          | 745        | 700        |
| 251-1008 | 14        | 360     | 55          | 790        | 723        |

## Pliers, Slip Joint



| Number   | L<br>inch | L<br>mm | K max<br>mm | Be-Cu<br>g | Al-Cu<br>g |
|----------|-----------|---------|-------------|------------|------------|
| 252-1002 | 10        | 250     | 32          | 365        | 335        |

## Pliers, Snipe Nose



| Number   | L<br>inch | L<br>mm | L <sub>1</sub><br>mm | Be-Cu<br>g | Al-Cu<br>g |
|----------|-----------|---------|----------------------|------------|------------|
| 253-1002 | 6         | 150     | 54                   | 165        | 151        |